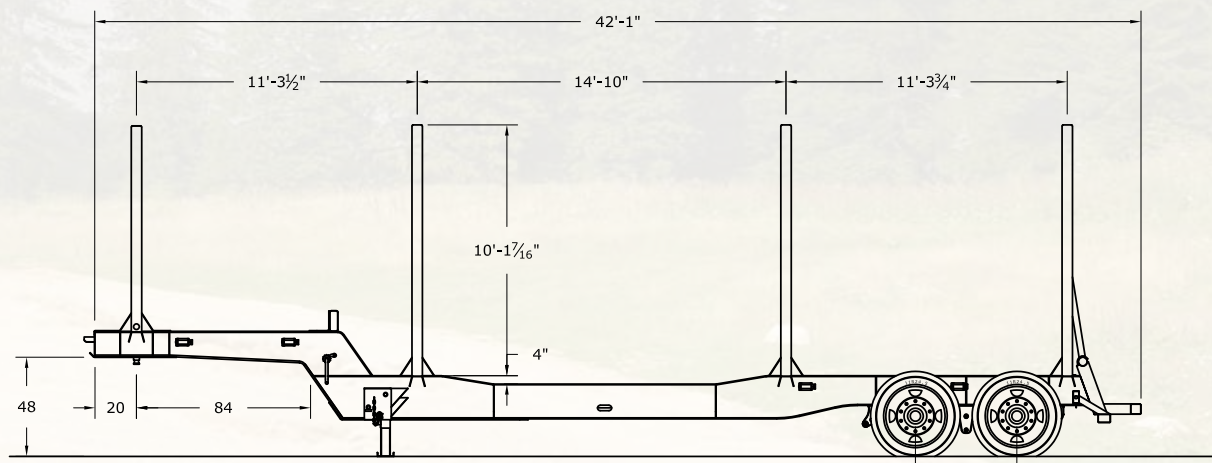




“You’re Ahead With A Pitts Behind”



STANDARD EQUIPMENT

AXLES

- ▶ 25,000 lb capacity, 77 1/2" track
- ▶ Anti Lock brake system
- ▶ 16 1/2" x 7" air brakes
- ▶ Type 30/30 brake chambers

SUSPENSION

- ▶ Hutch 9700 3 point heavy duty 4 leaf steel spring

WHEELS

- ▶ 10 hole unimount

TIRES

- ▶ 11R24.5 radials

BOLSTERS

- ▶ 3.5" x 9.5" tubing, 100K yield

STANDARDS

- ▶ 4.5" x 4.5" tubing, 100K yield

LANDING GEAR

- ▶ 4 1/2" x 4 1/2" tubing, 100K yield

BUMPER

- ▶ 4" x 6" tubing, 70K yield

AIR TANK

- ▶ Covered

WINCHES

- ▶ With 30' nylon straps

MAINFRAMES

- ▶ 21" fabricated beam, T-1 steel

TOOL BOX

- ▶ (1) Standard

PAINT

- ▶ Blasted, primed and Painted with two-part high quality polyurethane. Black is Standard.

Popular options: Revolver greaseless coupling system * Aluminum wheels * Grapple bar * electronic or air scales * single point spring suspension * PITTS-air lift axle on a single point suspension * Air ride suspension * headboard * slideable bolsters * custom designs

PITTSTRAILERS.COM

LEARN MORE ABOUT PITTS TRAILERS, AND JOIN US ON FACEBOOK

800.321.8073

PITTSVIEW, AL



Note: All specifications are subject to change without prior notification. All dimensions and weights are approximate. Trailers pictured in this brochure may feature optional equipment. copyright © 2013 Pitts Enterprises, Inc. (publ). Pate. All rights reserved.